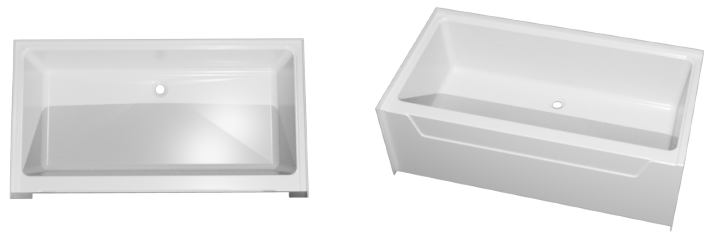




FEATURES

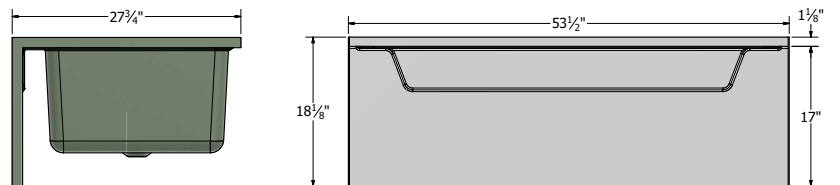
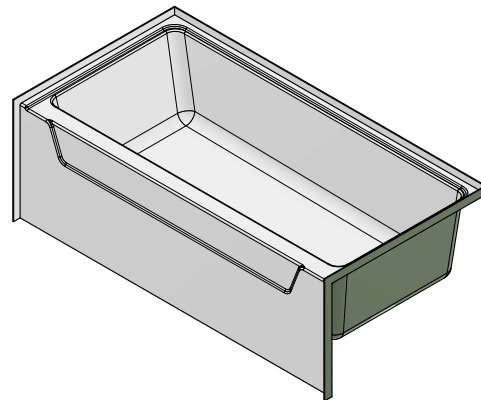
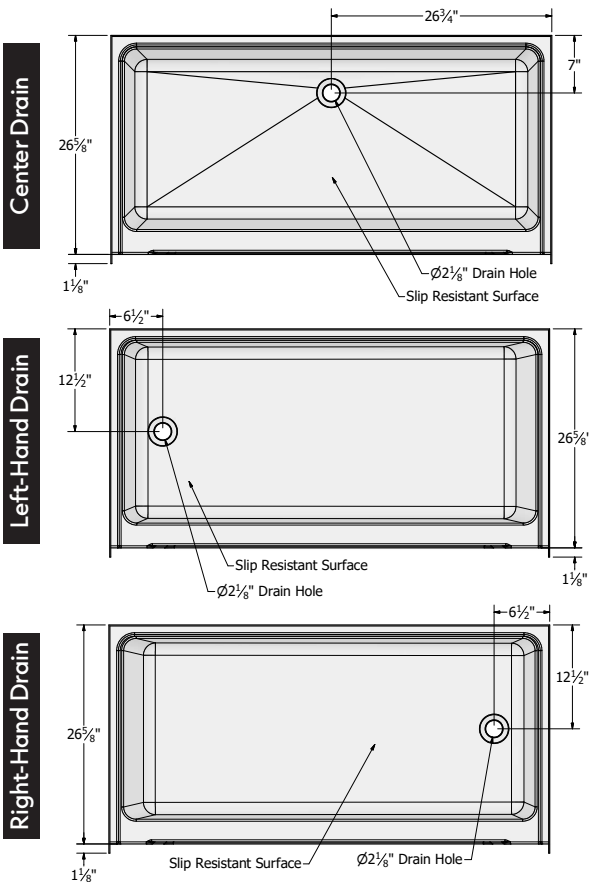
- Left, right and center drain available
- Ergonomic backrest
- Integral tiling flange
- Integral skirt
- Slip resistant textured bottom
- Available in White or Almond



CONFIGURATIONS

PART NO.	COLOR	DRAIN LOCATION
1714000001	White	Left
1714000002	Almond	Left
1714000003	White	Right
1714000004	Almond	Right
1714000005	White	Center
1714000006	Almond	Center

Pair with wall set kit #1717000001 (white)  
or #1717000002 (almond).



NOTE: Dimensions listed are nominal and subject to production variances of +/- 3/8".  
Design and features may change without notice.