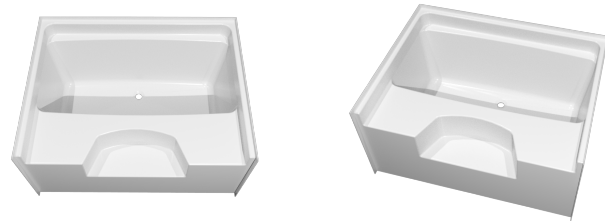


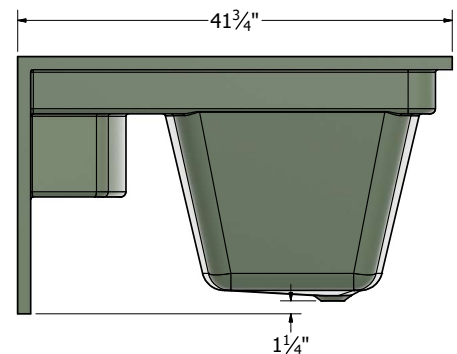
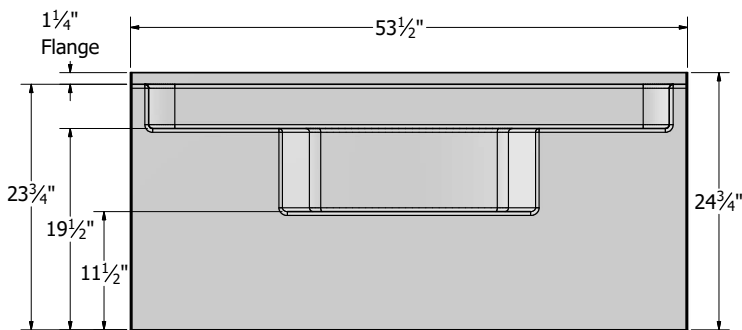
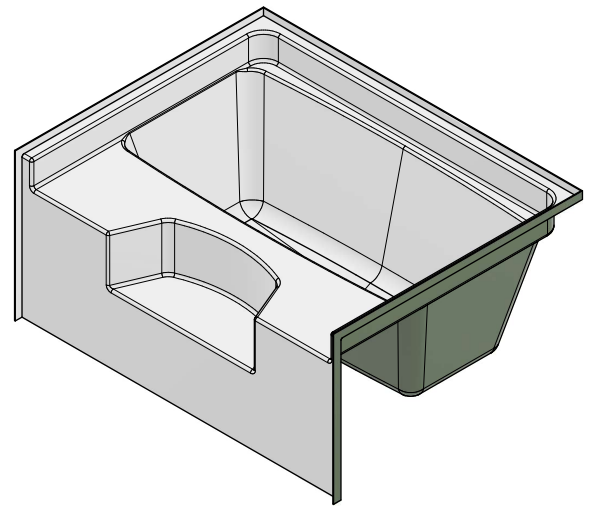
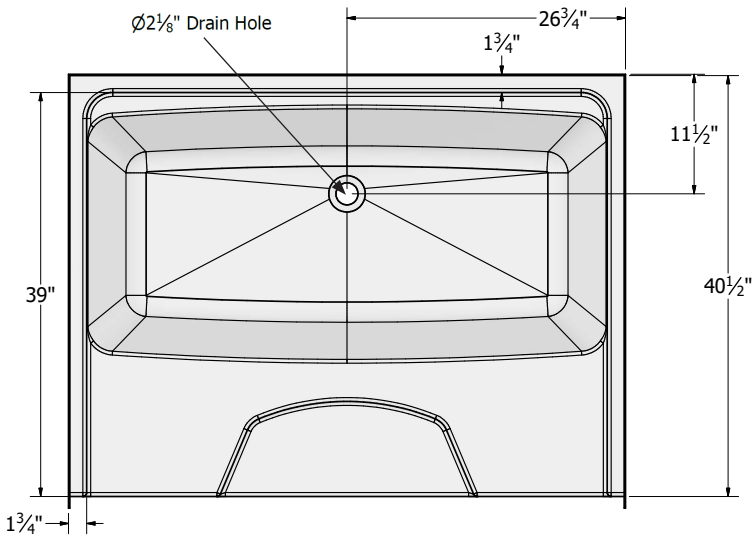


FEATURES

- Ergonomic backrest
- 4-1/4" wainscot
- Integral tiling flange
- Integral skirt
- Slip resistant textured bottom
- Available in White or Almond



| CONFIGURATIONS |        |                |
|----------------|--------|----------------|
| PART NO.       | COLOR  | DRAIN LOCATION |
| 1714000008     | White  | Center         |
| 1714000009     | Almond | Center         |



NOTE: Dimensions listed are nominal and subject to production variances of +/- 3/8". Design and features may change without notice.