



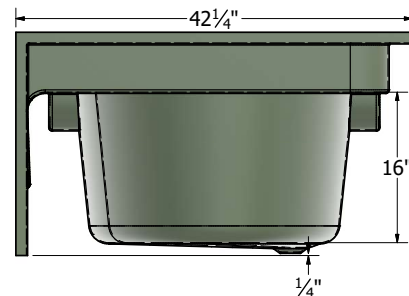
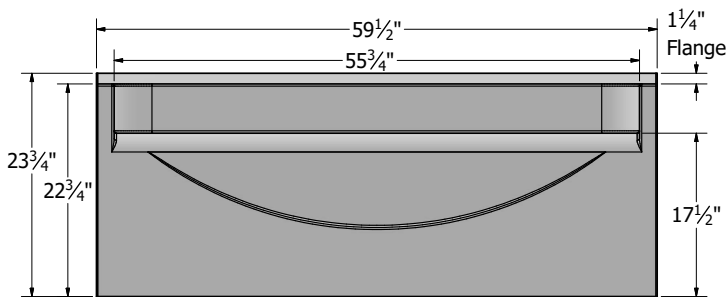
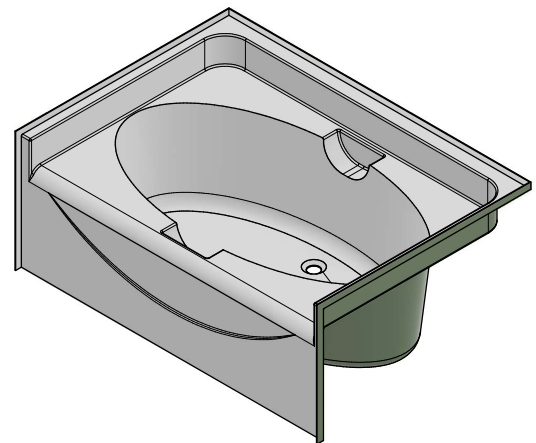
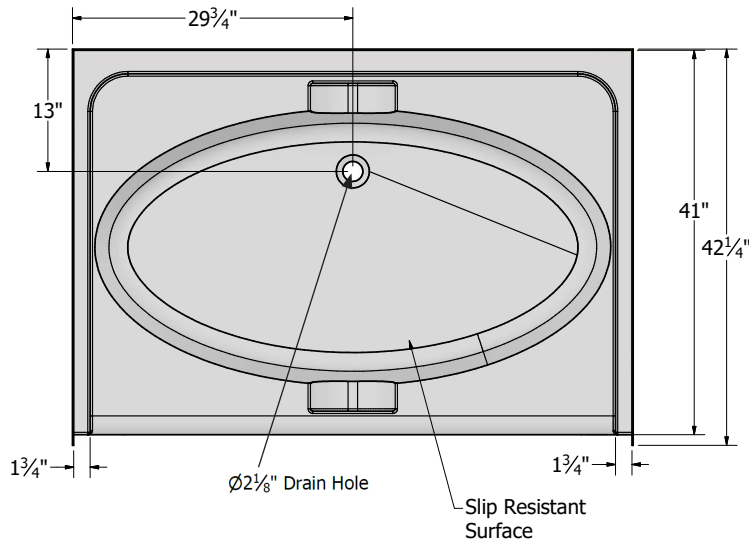
FEATURES

- Ergonomic backrest
- 5-1/4" wainscot
- Integral tiling flange
- Integral skirt
- Slip resistant textured bottom
- Available in White



CONFIGURATIONS

| PART NO. | COLOR | DRAIN LOCATION |
|------------|-------|----------------|
| 1714000007 | White | Center |



NOTE: Dimensions listed are nominal and subject to production variances of +/- 3/8". Design and features may change without notice.