



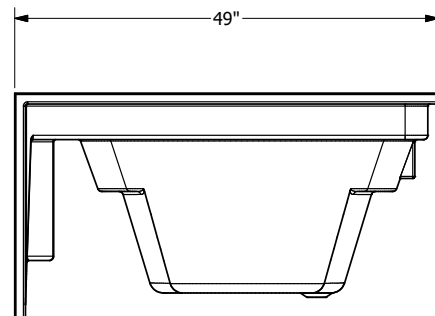
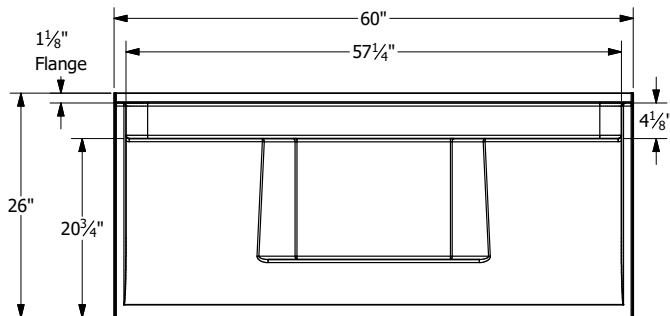
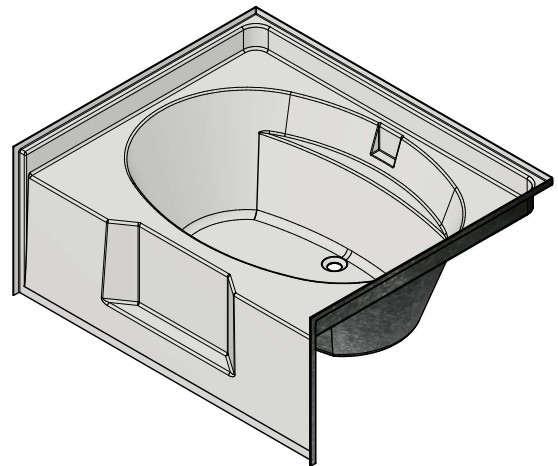
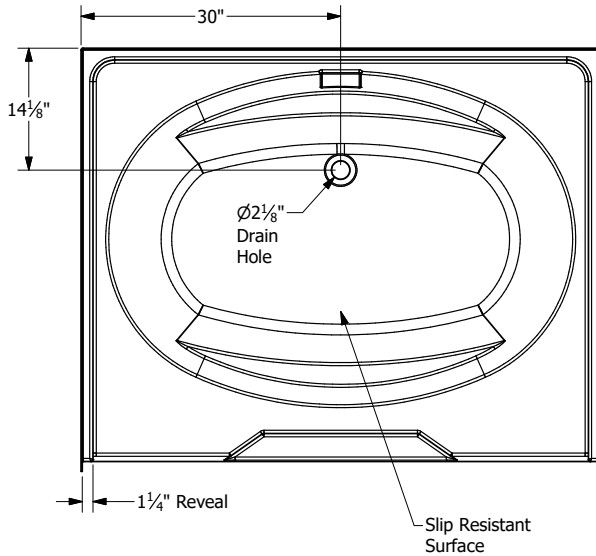
FEATURES

- Ergonomic backrest
- 4-1/8" wainscot
- Integral tiling flange
- Integral skirt
- Slip resistant textured bottom
- Available in White or Almond



CONFIGURATIONS

PART NO.	COLOR	DRAIN LOCATION
1714000010	White	Center



NOTE: Dimensions listed are nominal and subject to production variances of +/- 3/8". Design and features may change without notice.